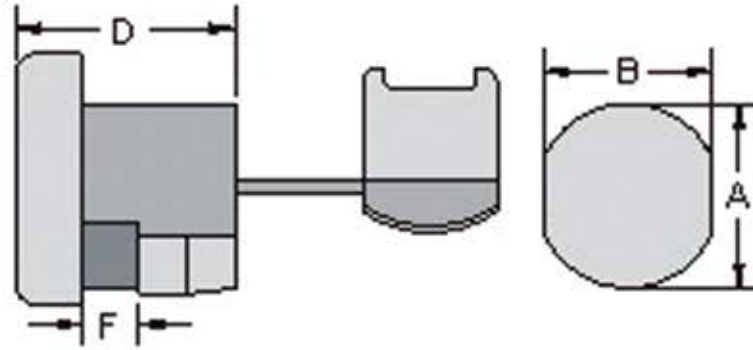


STRAIN RELIEF

BUJE DE ALIVIO DE TENSIÓN



Características:
 Reduce el costo de ensamblaje, prolonga la vida útil de los cables. Se utiliza ampliamente para proteger cables de computadoras, aparatos, etc.
 Material: Nylon 66
 Color: Negro

NÚMERO DE PARTE	FORMA DE SECCIÓN TRANSVERSAL	ALOJAMIENTO DE CABLE		ORIFICIO DE MONTAJE		LONGITUD D	ESPESOR F	EMPAQUE
		CABLE UL	MEDIDA	A	B			
SR-F21	CABLE PLANO	SPT-1 #18	2.3X4.5 / 2.8X5.3	9.5	8.7	10.3	0.5-1.6	100 Pzs.
SR-F23		SPT-1 #18	2.3X4.5 / 2.8X5.3	9.5	8.7	10.3	1.8-3.2	
SR-F31		SPT-1 #18	3.0X5.6	11.2	9.9	10.3	1.0-1.6	
SR-F32		SPT-1 #18	3.0X5.6	11.0	9.9	10.3	1.9-2.5	
SR-F41		SPT-2 #18	3.0X7.1 / 3.8X7.6	12.7	11.8	10.3	0.5-1.6	
SR-F41		SPT-2 #18	3.0X7.1 / 3.8X7.6	12.7	11.8	10.3	1.8-2.5	
SR-F51		SPT-3 #18	5X10.4	14.3	12.9	15.2	0.5-1.6	
SR-F53		SPT-3 #18	5X10.4	14.3	12.9	15.2	1.8-3.5	
SR-F83			6X15.2	21.6	21.3	20.4	2.0-3.4	
SR-5R1		CABLE REDONDO	SVI,SVT 3C #18	Φ6.2 ~ Φ7.4	12.8	11.5	11.0	
SR-5R2	SVI,SVT 3C #18		Φ6.2 ~ Φ7.4	13.0	11.5	11.0	1.8-2.5	
SR-6W2	SJT 3C #18		Φ7.6	12.8	11.8	11.0	1.8-2.3	
SR-6P1	SJT 3C #18		Φ7.4 ~ Φ8.2	15.9	14.0	14.8	0.5-1.6	
SR-6P3	SJT 3C #18		Φ7.4 ~ Φ8.2	15.9	14.0	14.8	1.9-3.2	
SR-6R1	SJ,SJT,3C #16		Φ8.2 ~ Φ9.2	15.9	14.0	14.8	0.5-1.6	
SR-6R3	SJ,SJT,3C #16		Φ8.2 ~ Φ9.2	15.9	14.0	14.8	1.9-3.2	
SR-7R1	SJT,3C #14		Φ9.2-Φ10.15 / Φ11	19.9	17.0	19.0	0.5-1.6	
SR-7R3	SJT,3C #14		Φ9.2-Φ10.15 / Φ11	19.7	17.0	19.0	1.9-3.2	
SR-8R3	SJT,3C #12		Φ12 ~ Φ15.2	21.6	21.3	20.6	1.9-3.2	
SR-9R1	#18 20-30pcs	Φ11 ~ Φ15	15.0	19.0	17.5	0.5-1.6		
SR-9R7	SJT,3C #10	Φ15.2-Φ16.3 / Φ17.5	28.0 / 30.2	25.5	25.2	1.0-3.2		

