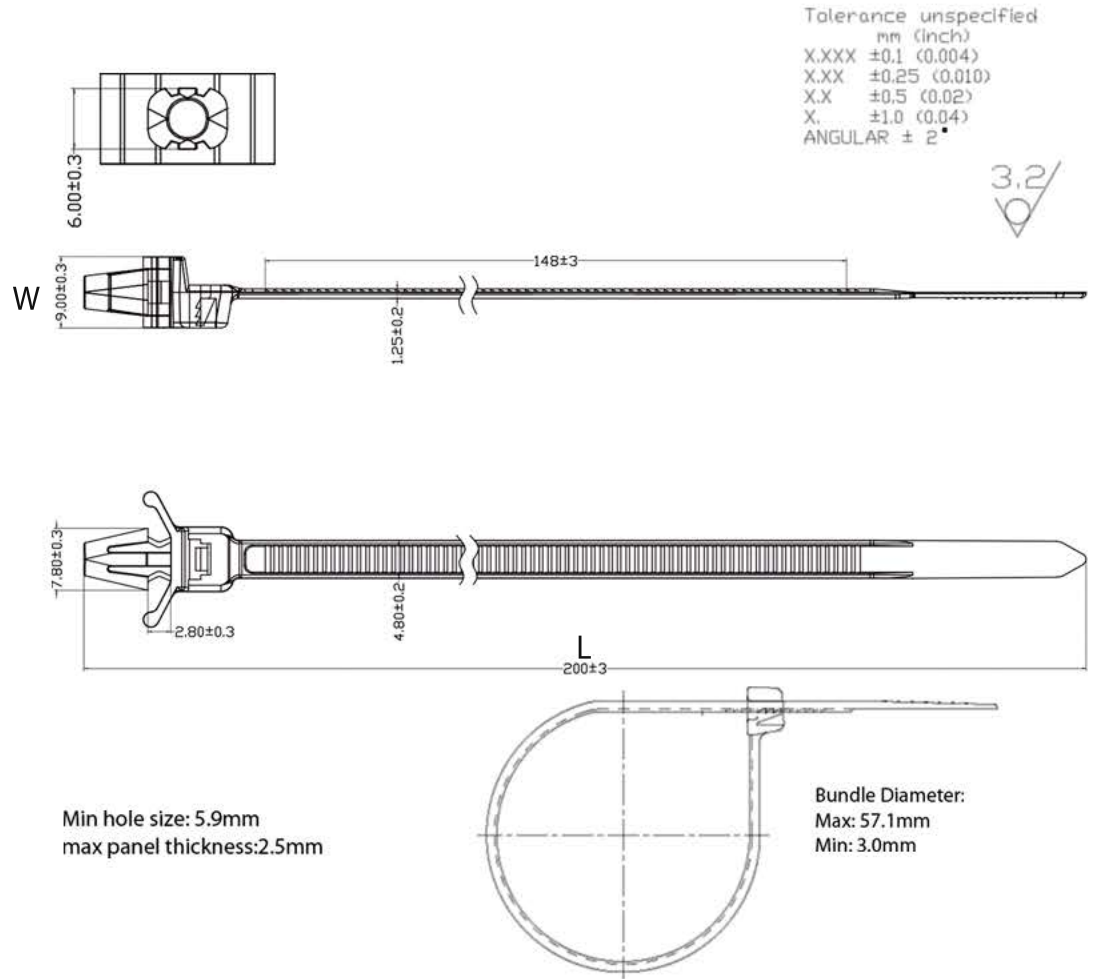


# Sujetacables Punta de Flecha con Alas

**ROHS**  
COMPLIANT

**UL LISTED**

- 1.MATERIAL Natural: Polyamide 6.6 natural
- 2.MATERIAL Black: Polyamide 6.6 natural+ -1% carbon black
- 3.Flammability of raw material : UL 94 - V2
- 4.Humidity absorption: 2,7% - 2,8% (23° C - 50% R.H.)
- 5.Installation temperature: -10° C ÷ +115° C
- 6.Working temperature: -40° C ÷ +115° C
- 7.Max sustainable temperature for short time: +130°C
- 8.Good resistance to bases, oils, greases, oil derivates, chloride solvents. Limited resistance to acids. Not resistant to phenols.
- 9.Carbon black addition gives a better UV resistance
- 10.comply with UL62275, and EN62275



Referencia		Empaque: 1000 Piezas.		
Natural	Negro	Largo "L" mm. / Pulg.	Ancho "W" mm. / Pulg.	Máx. Tensión Lbs. / Kgs.
EQPMW-10025	EQPMW-10025BK	100/4"	2.5 / 0.10	18 (8)
EQPMW-11025	EQPMW-11025BK	110/4"	2.5 / 0.10	18 (8)
EQPMW-15536	EQPMW-15536BK	155/6"	3.6 / 0.14	40 (18)
EQPMW-13048	EQPMW-13048BK	130/6"	4.8 / 0.19	50 (22)
EQPMW-19048	EQPMW-19048BK	190/7.5"	4.8 / 0.19	50 (22)
EQPMW-20048	EQPMW-20048BK	200/8"	4.8 / 0.19	50 (22)